

DC8 Clear Glass Microstore

FoodSpot

UNATTENDED MICROSTORES

Product Specifications

Net Total Weight 300 lbs.

Sensing Mechanism UHF RFID

Packing Dimensions 37" x 31" x 35"

External Dimensions W27.55" x D35.59" x H79.13"

Shelf Dimensions 19" x 22.5"

Compressor: Embraco **EM2X3125U** ¼ HP

Insulation Material: Cyclopentane

Energy Consumption: 4.5kW-H / 24H

Voltage / Frequency: 120V / 60Hz / 3A

Connectivity

Cellular Standard, Optional WiFi & Ethernet

5 Circular-Polarized UHF Antennas (FCC)

Temperature Range 35–50°F

Hardware Features:

Cabinet Body Color Black; Interior Cabinet Material White Painted Aluminum; Shelves Plastic Coated Wired (5 pcs); Shelf support K-Clip Stainless Steel; Circular Arc Handle; Energy Efficient LED Interior Lighting

Merchandising Starter Kit

- 22" Swipe, Grab & Go decal
- Bluetooth Sticker Scanner
- 20 Product Detail Shelf Clips
- 21 Metal Shelf Row Dividers
- 5 Clear Plastic Shelf End Caps



Designed in California

Blackboard

TRANSACT
Technologies Incorporated

cbord

touchnet
A Global Payments Company

itc
SYSTEMS

atrium



Special Features

- 24/7 Sales
- No Retail Labor Required
- Remote Dashboard Management
- Daily Sales Deposits
- 24/7 Customer Service Chatbot
- Capacity - 90 to 160 Retail Products
- Highest Level of Data Security
- 8-Second Retail Transaction

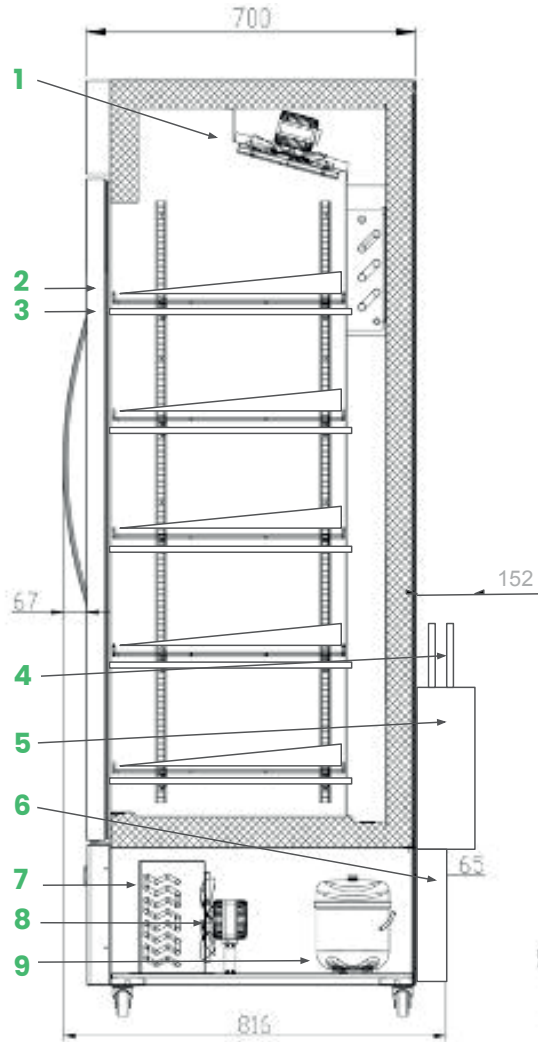
[Hello@LaunchFoodSpot.com](mailto>Hello@LaunchFoodSpot.com)

DC8 Clear Glass Microstore

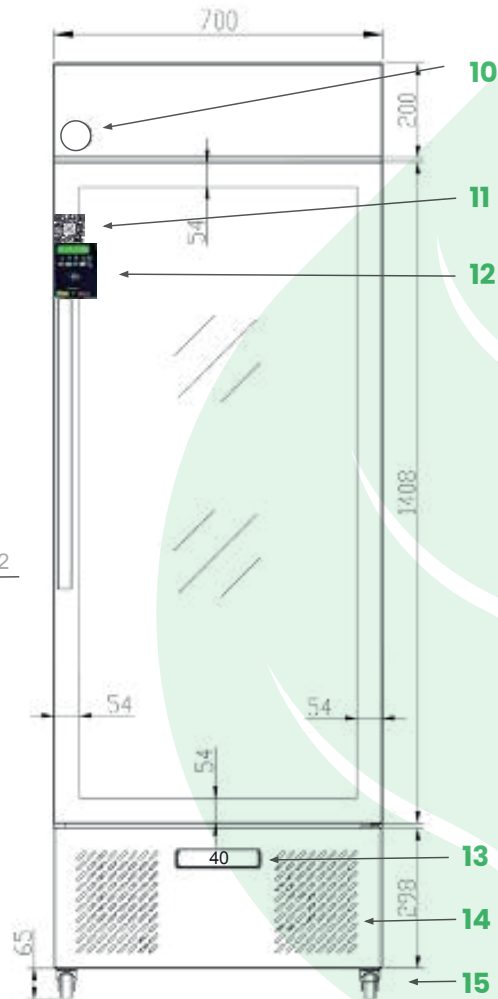
FoodSpot

UNATTENDED MICROSTORES

Internal Side View



Front View



- | | | |
|------------------|----------------|----------------------------|
| 1. Internal Fan | 6. Cord Duct | 11. QR Code Triage |
| 2. Shelf Roller | 7. Condenser | 12. Credit Card Reader |
| 3. RFID Sensor | 8. Fan | 13. Thermostat/Temperature |
| 4. Data Antennas | 9. Compressor | 14. Vents |
| 5. Control Box | 10. Smart Lock | 15. Casters |